

embraco

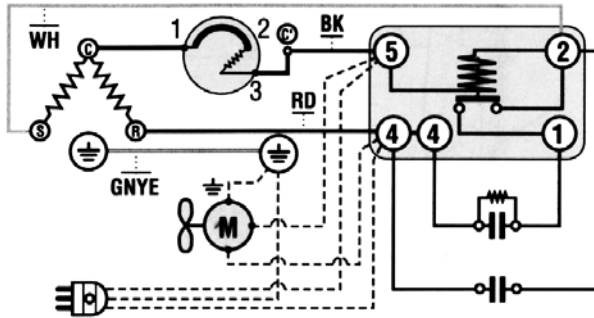
NT2180UV1

LBP

115V

R290

Wiring Diagram



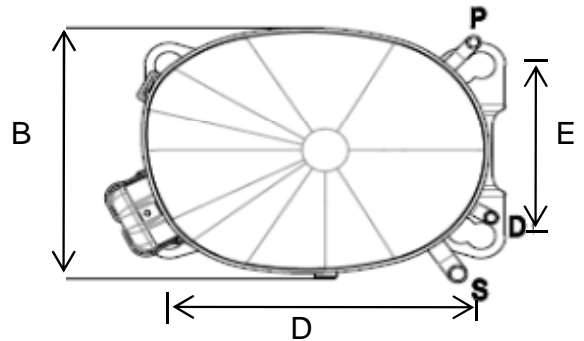
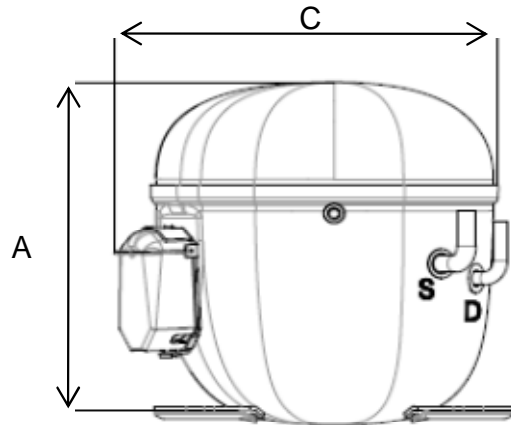
Compressor Terminals

- C = Common
- R = Run
- S = Start

Use of components other than specified will void warranty.

Dimensions (inches)

A:8.7" B: 7" C: 10" D: 8" E: 4.8"



Tube Diameter

ID	Inch	MM
Process	.25-1/4"	6.42
Suction	.38-3/8"	9.6
Discharge	.25-1/4"	6.42

Technical Specifications

Rev 11-2019

Mechanical Data	English		Metric		Electrical Data	
	English	Metric	English	Metric	English	Metric
Bore	1.46 in	37 mm	Motor:		CSR	
Stroke	.82 in	20.83 mm	Voltage		115/60	
Displacement	1.36 cu. In	22.37 cm ³	Voltage range		103-127V	
Speed	3,500 rpm	3,500 rpm	Run winding resistance at 25° C		.43 Ω	
Weight	38.1 lb	17.3 kg	Start winding resistance at 25° C		2.66 Ω	
Oil Charge	15.2 oz.	450 ml	Locked rotor current		54.5 amps	
Oil Type	POE	ISO22	RLA:LBP-60Hz		9.6 amps	

Compressor Cooling:


Fan cooled by forced draft over shell with 6 watt minimum fan.

Restrictor:

Capillary tube or Expansion valve

Capacitor:

Start Cap	243-292 mfd	250V
Run Cap	20 mfd	440V

	NT2180UV1	LBP	115V	R290
Specifications Approximate H. P. 1 Starting Torque High Refrigerant R290 Evaporator Temperature Low Evaporator Temperature -40° to 14°F			Usage Walk In Freezers Cold Rooms Reach In Freezers	

ASHRAE LBP					
Temperature °F	-22	-10	-4	5	14
Capacity BTU/Hr		3,577			
Power W		762			
Current Amps		8.04			
Temperature °C	-30	-23.3	-20	-15	-10
Capacity Kcal/Hr		901			

LBP Rating	ASHRAE LBP	Rating Point (Bolded above)	HBP Rating	N/A
Condensing	130°F		Condensing	
Evaporator	-10°F		Evaporator	
Return Gas	90°F		Return Gas	
Ambient	90°F		Ambient	
Liquid Temp.	90°F		Liquid Temp.	

Material	Part number	Description	Compressor Cross Ref.	
Compressor	842LG02	NT2180UV1	Manufacturer	Model
Relay	1253001-ESP	RVA2AE3C-105	Copeland	RFT30C1U-CAA
Overload	2289038-ESP	MST00AFK-3248		
Start Cap	2252331-ESP	243-292 mfd / 250V		
Run Cap	2253312-ESP	20 mfd / 440V		
*Elec. Box	1272359			
Grommet	2221004			
Sleeve	2222016			

*Contains relay, capacitors, and wire harness

EMBRACO NORTH AMERICA, INC.
1610 Satellite Blvd. Suite B, Duluth Ga, 30097 Phone: 678-805-3074